



# FIRESTOP CENTRE

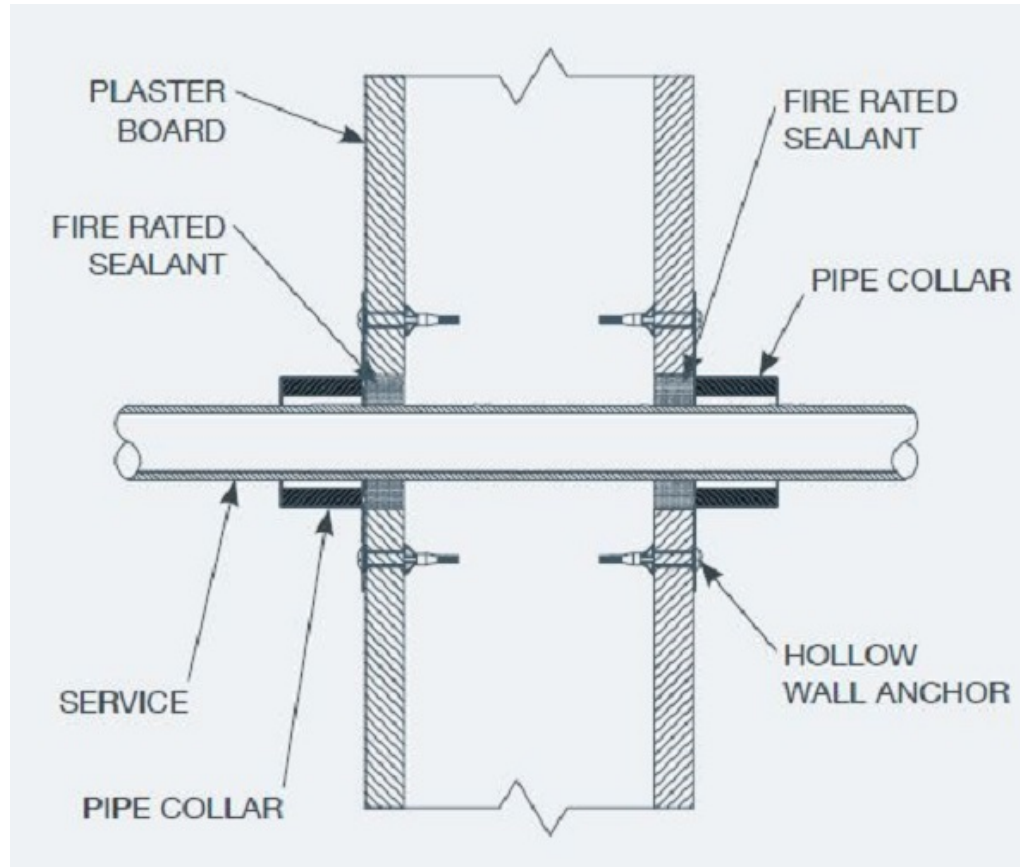
Authorised New Zealand Distributor  
Ph (09) 483 4000 www.firestopcentre.co.nz

## Allproof Low Profile Fire Collar Cables, Conduits, Pair Coils

### through a Single Layer 13mm Plasterboard Wall

#### INSTALLATION INSTRUCTIONS:

1. Ensure substrate around the service is flat and free from obstructions.
2. Seal the annular space between the plasterboard and the service with Allproof MAS310 fire sealant to a depth of at least 13mm
3. Open pipe collar and position around the service.
4. Slide tab through slot in pipe collar and fold back 180° to secure.
5. Secure collar using metal hollow wall anchors fixed directly into the plasterboard. Do not use fixings which rely on plastic or nylon components for grip.



BRANZ Appraised  
Appraisal No.1088 [2019]

As a part of our policy of on-going product development and testing, we reserve the right to modify, alter or change product specifications without giving notice. All information contained in this document is given in good faith and is provided for guidance only. Any drawings provided are for illustrative purposes only. As Firestop Centre has no control over the methods or competence of installation and of prevailing site conditions, no warranties, expressed or implied, is intended to be given as to the actual performance of the product mentioned or referred to herein and no liability whatsoever will be accepted for any loss, damage or injury arising from the use of the information given.

For all technical details on the products specified please refer to the technical data sheets that can be found on [www.firestopcentre.co.nz](http://www.firestopcentre.co.nz)

Signed and approved:



BRANZ Appraisal 1008  
Technical Manual - Electrical Pg 9  
AS1530.4-2014 AS4072.1-2005

System ID# FC632

<b>Products</b>	Allproof Low-Profile Fire Collar
<b>Application</b>	Fire stopping of cables in single layer plasterboard walls
<b>Construction</b>	Minimum wall thickness 90mm with single layer 13mm Fire or Standard board each side

#### Fire Classification:

See **Page 2** for details of the following in 1x13mm fire-rated board:-

Conduit - 1 x 25mm PVC conduit filled with 3 x power cables Up to FRR -/60/45

Cables - TPS, CAT6 Data, Fire Alarm, Fibre Optic, Mains and Earth cables in various combinations Up to FRR -/60/60

Air-con mixed services - Up to 3 x pair coils, 6 x TPS cables and 1 x 32mm PVC DWV conduit Up to FRR -/60/60

See **Page 3** for details of the following in 1x13mm standard board:-

Cables - TPS, CAT6 Data, Fire Alarm, Fibre Optic, Mains and Earth cables in various combinations Up to FRR -/30/30

# ALLPROOF

INDUSTRIES

Allproof Industries Ltd  
17 Bay Park Place  
Beach Haven, AK 0626

Sheet size: **A4** Drawn date & no: **28/5/25**

Scale: **NTS** Drawn by: **G.P**

# 13MM PLASTERBOARD WALL TEST RESULTS:

DESCRIPTION	PRODUCT CODE	PENETRATION HOLE SIZE (MM)	PLASTERBOARD WALL FRL*	REPORT NUMBER
<b>PVC CONDUIT</b>				
25mm PVC Conduit Filled with 3x Power Cables	ALLFC25	28	-/60/45	5810
<b>CABLES</b>				
1x TPS Cable	ALLFC25	28	-/60/60	146207
7x TPS Cables	ALLFC25	32	-/60/45	146207
8x TPS Cables	ALLFC50	32	-/60/60	146207
25x TPS Cables	ALLFC50	57	-/60/45	143281
1x CAT6 Data Cable	ALLFC25	28	-/60/60	146207
10x CAT6 Data Cables	ALLFC25	28	-/60/30	146207
11x CAT6 Data Cables	ALLFC50	28	-/60/30	146207
60x CAT6 Data Cables	ALLFC50	57	-/60/45	143281
1x Fire Alarm Cable	ALLFC25	28	-/60/60	147932
10x Fire Alarm Cables	ALLFC25	28	-/60/60	147932
11x Fire Alarm Cables	ALLFC50	30	-/60/60	148954
40x Fire Alarm Cables	ALLFC50	57	-/60/60	148954
1x Fire Alarm & 1x Fibre Optic Cable	ALLFC25	28	-/60/60	146207
6x Fire Alarm & 6x Fibre Optic Cables	ALLFC25	32	-/60/60	143281
1x 16mm Mains Cable + 1x 10mm Earth Cable	ALLFC25	28	-/60/60	146207
1x 25mm Mains Cable + 1x 10mm Earth Cable	ALLFC25	28	-/60/60	146207
<b>A/C MIXED SERVICES</b>				
1x Pair Coil, 1x TPS Cable & 1x 20mm PVC DWV	ALLFC50	60	-/60/30	147932
2x Pair Coil, 2x TPS Cables & 1x 25mm PVC DWV	ALLFC100	95	-/60/60	147932
3x Pair Coil, 6x TPS Cables & 1x 32mm PVC DWV	ALLFC100	95	-/60/30	143281
<b>A/C MIXED SERVICES - IN WALL</b>				
*Pair Coil, TPS Cable & 20mm PVC DWV (Flexi Hose)	ALLFC50	95	-/60/60	13509

Fixing: Collars tested using hollow wall anchors.

Tested using a 64mm wide steel stud with a single layer of 13mm fire rated plasterboard on each side of the frame. A total wall thickness of 90mm. Fire collars are fixed using hollow wall anchors directly into the plasterboard - not fixed into framing or studs in wall. Fire rated sealant is applied in the space between the service and plasterboard on both the exposed and unexposed face.

\* In wall Pair Coil uses fire rated sealant as smoke seal, see notes on install detail below.

# STANDARD NON-FIRE RATED 13MM PLASTERBOARD WALL TEST RESULTS:

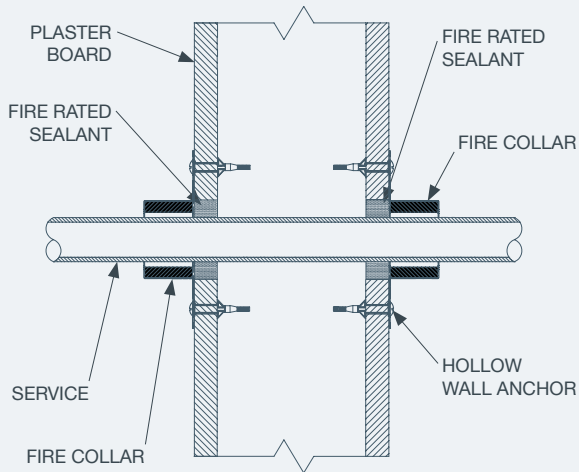
DESCRIPTION	PRODUCT CODE	PENETRATION HOLE SIZE (MM)	PLASTERBOARD WALL FRL*	REPORT NUMBER
<b>CABLES</b>				
1x TPS Cable	ALLFC25	28	-/30/30	148639
7x TPS Cables	ALLFC25	32	-/30/-	148639
1x CAT6 Data Cable	ALLFC25	28	-/30/30	148639
10x CAT6 Data Cables	ALLFC25	28	-/30/30	148639
1x Fire Alarm Cable	ALLFC25	28	-/30/30	148639
10x Fire Alarm Cables	ALLFC25	28	-/30/30	148639
1x 16mm Mains Cable + 1x 10mm Earth Cable	ALLFC25	28	-/30/30	148639

Fixing: 6.5mm x 32mm Dog screw wall anchors.

Tested using a 64mm wide steel stud with a single layer of 13mm fire rated plasterboard on each side of the frame. A total wall thickness of 90mm. Fire collars are fixed using Dog Screw Anchors directly into the plasterboard - not fixed into framing or studs in wall. Fire rated sealant is applied in the space between the service and plasterboard on both the exposed and unexposed face.

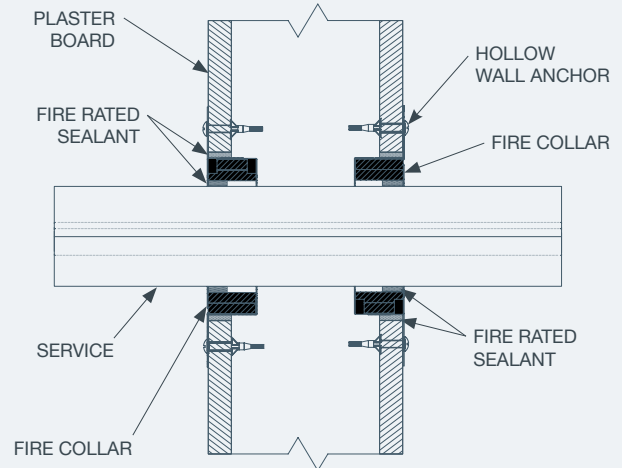
## PLASTERBOARD INSTALLATION DETAILS:

### FACE FIXED WITH HOLLOW WALL ANCHOR (SEE RELEVANT TABLE)



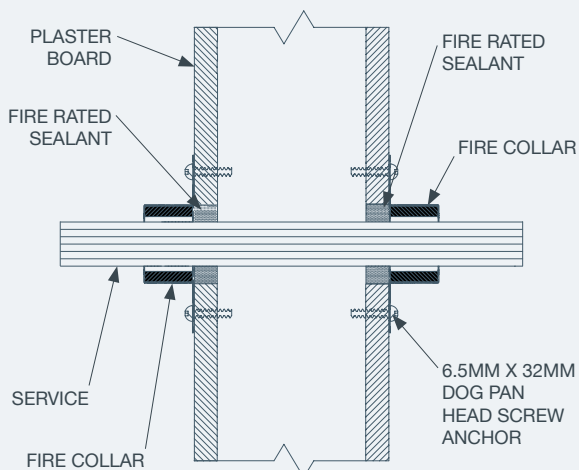
DETAIL SHOWS CONDUIT PIPE, OTHER TESTED SERVICES TO BE BUNDLED TOGETHER THROUGH THE PENETRATION, FIRE COLLAR AND SEALANT INSTALL CONSISTENT WITH ALL SERVICES.

### IN WALL (SEE RELEVANT TABLE)



DETAIL SHOWS PAIR COIL, OTHER TESTED SERVICES TO BE BUNDLED TOGETHER IN A SIMILAR FASHION, FIRE COLLAR AND SEALANT INSTALL CONSISTENT WITH ALL SERVICES.

### FACE FIXED WITH DOG PAN HEAD SCREW



Smoke seal on pair coil achieved with fire rated sealant between service and fire collar. Other services not to include fire rated sealant between service and collar unless otherwise stated.